



ALIVE



ENLIGHT



epsilon



FP7



European Commission

## Invitation to Final Workshop

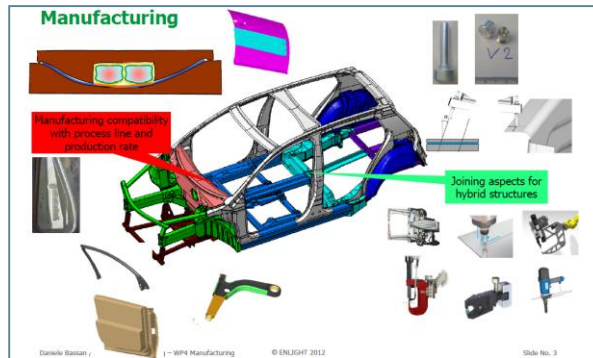
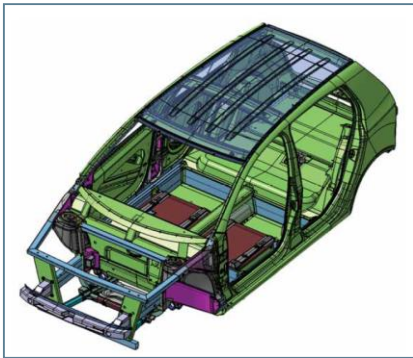
22 September 2016

Aachen, Germany

Global warming concerns have led to the demand for higher energy-efficiency in the automotive industry. At the same time urbanisation is closely connected with the evolution of mobility with cities becoming more and more the centres of economical and social activities. These factors create new needs, opportunities and technological challenges in the form of lighter, thus more energy efficient vehicles but also in terms of new vehicle concepts providing efficient and affordable, yet safe individual mobility for urban areas.

### Vehicle and lightweight material concepts for future mobility

### Results from three EU funded research project



Within the three EU funded projects and **ALIVE**, **ENLIGHT** and **epsilon**, all related to the **SEAM cluster** of projects, different approaches and technologies to address these challenges have been developed. The SEAM cluster has been initiated in 2012 by the four EU funded projects SafeEV, ENLIGHT, ALIVE and MATISSE. All four projects have been funded within the European Green Vehicle Initiative (EGVI) as part of the seventh framework programme of the European Commission. In 2013 the two EGVI projects epsilon and Urban-EV joined the seam cluster. With 55 partners from 11 European countries and a total funding of some 25 million Euro SEAM is the **biggest European network on lightweight design**. The results of the projects will be displayed during the Aachen Body Engineering Days 2016 within a dedicated impulse session and exhibition (for more information please refer to [www.ika.rwth-aachen.de](http://www.ika.rwth-aachen.de)).

Following the conference, on September 22nd 2016 the project partners will demonstrate and communicate the projects outcomes in detail and would also like to discuss their findings and recommendations with relevant stakeholders, industry partners and other research initiatives and interest groups You are kindly invited to join this **free one day final event**. The event will take place at the Institute for Automotive Engineering (ika) of RWTH Aachen University. A detailed programme and more information about the projects and the event location can be found on the following pages.

**ALIVE** aims to develop key vehicle lightweighting technologies for application to near-future electric vehicles to be introduced into the market from 2020 up to a level of technology readiness that would enable mass production (around 1000 vehicles/day). The key objective is to achieve affordable solutions for vehicle weight reduction targeting a further 20 % weight reduction of the Body-in-White (BiW) compared to the 30 % weight reduction already demonstrated in recent EU funded RTD projects.



ALIVE



ENLIGHT



epsilon



FP7

European Commission

### Project Partners ALIVE



Using the ALIVE vehicle platform **ENLIGHT** strives to advance highly innovative lightweight material technologies for application in structural vehicle parts along four research axes: performance, manufacturability, cost effectiveness and lifecycle footprint. The main target is to develop viable and sustainable lightweight solutions to each additional 20 % weight reduction for medium production volume EVs destined to reach the market in the next 8-12 years.

### Project Partners ENLIGHT



**epsilon** is focusing on the development of an innovative electric vehicle concept specifically designed for the typical transport tasks in urban areas. Closing the gap between powered two-wheelers, ultra light vehicles (L7e) and conventional passenger cars (M1), the epsilon vehicle will be considerably lighter, more energy-efficient and require less road space than today's sub-compact cars. Still it will offer at least the same level of safety and will therefore be much safer than powered two-wheelers and provide higher transport capacity as well as driving comfort in all weather conditions. Offering at the same time an appealing driving performance at affordable costs, the epsilon vehicle will address not only the ecological and societal, but also the economical dimension of sustainable mobility.

### Project Partners epsilon



**ALIVE****ENLIGHT****epsilon**

FP7

European  
Commission

## WS Programme

Thursday, 22<sup>nd</sup> of September

8.30 am – 5.00 pm

08:00 – 08:30

Registration

08:30 – 08:45

Welcome and Introduction, Kristian Seidel (fka)

**Session 1 – ALIVE**

08:45 – 09:00

Introduction – Dr.-Ing. Jens W. Meschke (Volkswagen)

09:00 – 09:30

Vehicle design and main highlights – Dr.-Ing. Jens W. Meschke (Volkswagen)

09:30 – 10:00

Simulation – Roberto Puppini (CRF)

10:00 – 10:30

Material development and manufacturing – Bruno Götzinger (Magna STEYR)

10:30 – 10:45

*Coffee Break***Session 2 – ENLIGHT**

10:45 – 11:00

Introduction – Prof. Dr.-Ing. Thilo Bein (Fraunhofer LBF)

11:00 – 11:30

Material development – Angelika Bachinger (Swerea SICOMP)

11:30 – 13:00

*Exhibition/ Lunch Break*

13:00 – 13:30

Design and manufacturing of modules – Daniele Bassan (CRF)

13:30 – 14:00

LCA and LCC of modules – Massimo Delogu (Unifi)

**Session 3 – epsilon**

14:00 – 14:15

Introduction – Ralf Matheis (fka)

14:15 – 14:45

Structural design of body and battery housing – Johannes Stein (ika)

14:45 – 15:00

*Coffee Break*

15:00 – 15:30

Occupant and pedestrian safety – t.b.a.

15:30 – 16:00

Driving dynamics and efficiency –  
Meike Kalverkamp (fka), Isabella Camuffo (CRF)

16:00 – 17:00

**Recommendations & guidelines & outlook /  
plenary discussion / wrap-up & closing****Venue**Institut für Kraftfahrzeuge,  
RWTH Aachen University  
Steinbachstraße 7  
52074 Aachen, Germany**Hotels**aachen tourist service e.v.  
Postfach 10 22 51  
52022 Aachen**Cost**Participation is free of charge including lunch,  
**but registration is required:**  
<http://www.ika.rwth-aachen.de/en/institute/events.html>**Contact**Dinesh Thirunavukkarasu  
+49 241 80 25699  
[thirunavukkarasu@ika.rwth-aachen.de](mailto:thirunavukkarasu@ika.rwth-aachen.de)**More information under:**[www.project-alive.eu](http://www.project-alive.eu) - [www.project-enlight.eu](http://www.project-enlight.eu) - [www.epsilon-project.eu](http://www.epsilon-project.eu)